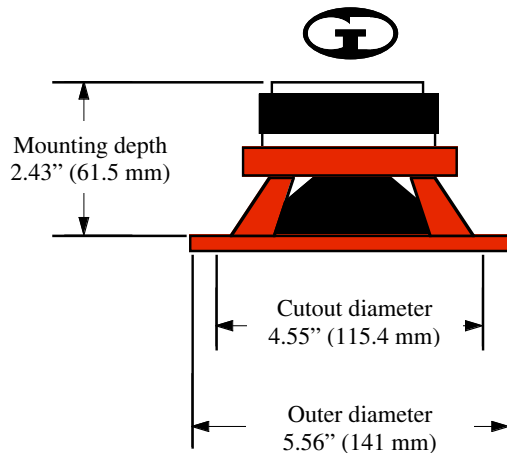


SPECIFICATIONS

DIAMETER: 5.25" (130MM)
SENSITIVITY: 91.9 dB
POWER HANDLING: 20 WRMS (100W PK)
FREQUENCY RESPONSE: 80 ~ 5000 HZ
NOMINAL IMPEDANCE: 4 OHMS
VOICE COIL DIAMETER: 1.0" (26MM)
DIMENSIONS:



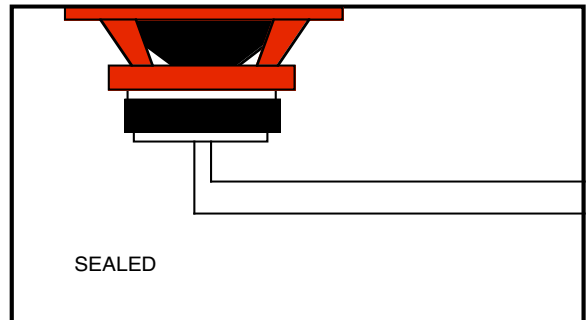
THIELE-SMALL PARAMTERS

FREE AIR RESONANCE: 83.7 Hz
VOICE COIL DC RESISTANCE: 3.04 OHMS
VOICE COIL INDUCTANCE @ 1 kHz: 0.45 mH
MECHANICAL Q (Q_{MS}): 2.75
ELECTRICAL Q (Q_{ES}): 0.43
TOTAL Q (Q_{TS}): 0.37
COMPLIANCE VOLUME (V_{AS}): 4.57 L
MOVING MASS, DIAPHRAGM: 0.161 FT³
DRIVER RADIATING AREA (S_D): 7.24 GR
MOTOR FORCE FACTOR: 12.4 IN²
MOTOR FORCE FACTOR: 5.11 TM

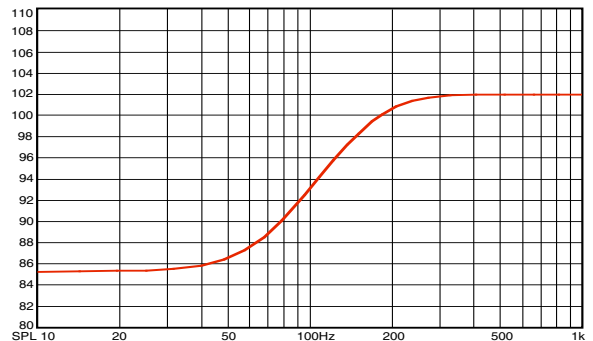
NOTE:

ALL SEALED BOXES GREATER THAN 0.05 CUBIC FEET ARE ALLOWABLE BUT WITH NON-OPTIMAL BASS RESPONSE. OPTIMAL SETUP FOR BASS IN A MEDIUM SIZE CAB IS SHOWN HERE.

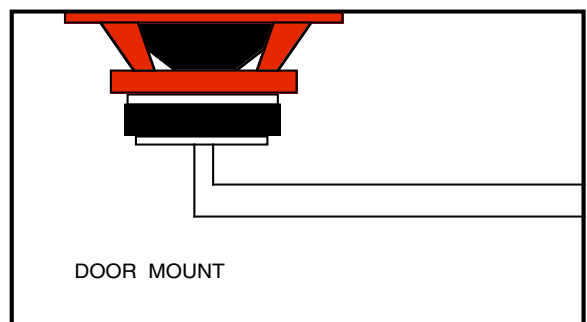
**Box Volume = 0.05 CU. Ft.
(1.42 LITERS) SEALED**



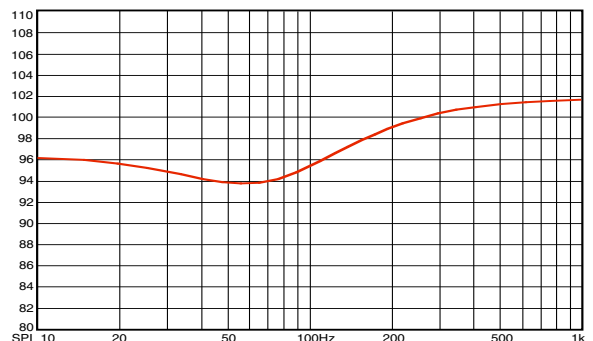
**SEALED BOX
FREQUENCY RESPONSE @ 10 WATTS**



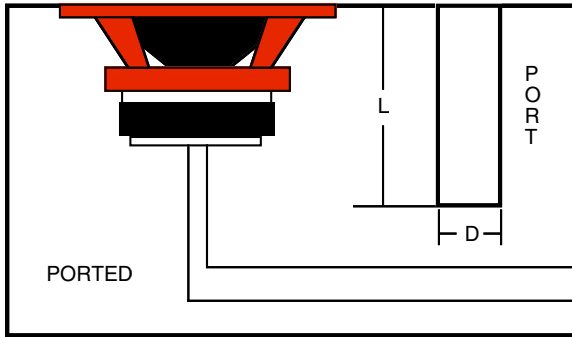
**DOOR VOLUME = 1.0CU. Ft.
(28.35 LITERS)**



**DOOR MOUNT
FREQUENCY RESPONSE @ 10 WATTS**



BOX VOLUME = 0.15 CU. FT. (4.25 LITERS)
TUNED TO 85HZ PORT = 2"D X 6.4"L



PORTED BOX
FREQUENCY RESPONSE @ 10 WATTS

