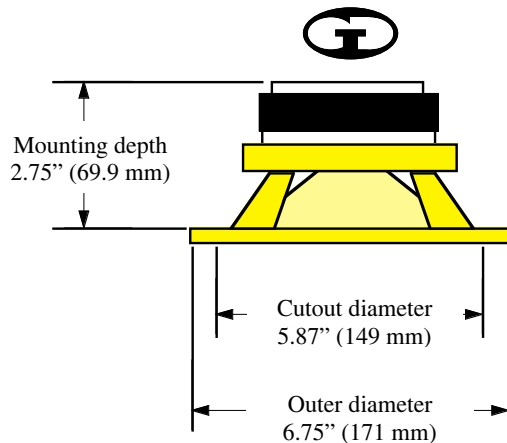


SPECIFICATIONS

DIAMETER: 6.5" (170MM)
SENSITIVITY: 91.9 dB
POWER HANDLING: 30 WRMS (100W PK)
FREQUENCY RESPONSE: 50 ~ 5000 HZ
NOMINAL IMPEDANCE: 4 OHMS
VOICE COIL DIAMETER: 1.0" (26MM)
DIMENSIONS:

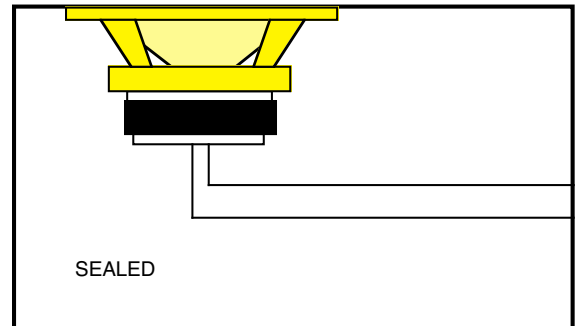


THIELE-SMALL PARAMTERS

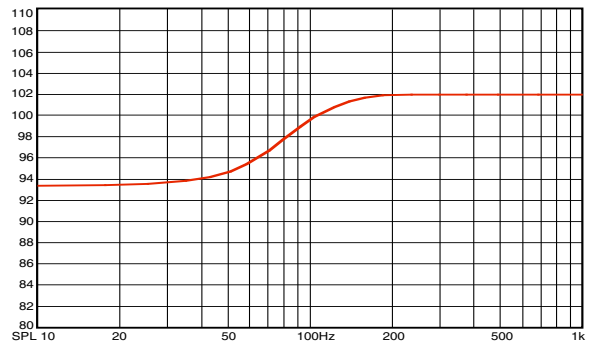
FREE AIR RESONANCE: 64.7HZ
VOICE COIL DC RESISTANCE: 2.83 OHMS
VOICE COIL INDUCTANCE @ 1 kHz: 0.45MH
MECHANICAL Q (Q_{MS}): 2.62
ELECTRICAL Q (Q_{ES}): 0.56
TOTAL Q (Q_{TS}): 0.46
COMPLIANCE VOLUME (V_{AS}): 14.94 L
 0.527 FT³
MOVING MASS, DIAPHRAGM: 10.88 GR
DRIVER RADIATING AREA (S_D): 138 CM²
 21.39 IN²
MOTOR FORCE FACTOR: 4.71 TM
MAXIMUM EXCURSION (X_{MAX}): 0.13"
 3.3 MM

NOTE:
 ALL SEALED BOXES GREATER THAN 0.3 CUBIC FEET
 ARE ALLOWABLE BUT WITH NON-OPTIMAL BASS
 RESPONSE. OPTIMAL SETUP FOR BASS IN A MEDIUM
 SIZE CAB IS SHOWN HERE.

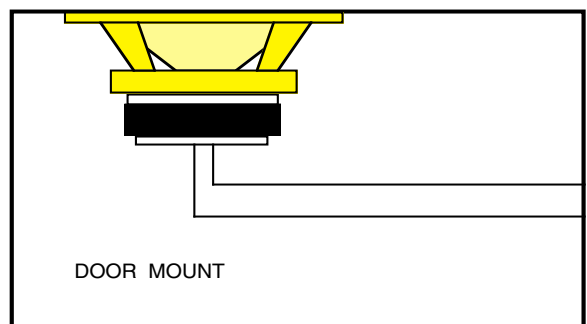
BOX VOLUME = 0.3 CU. Ft.
(8.5 LITERS) SEALED



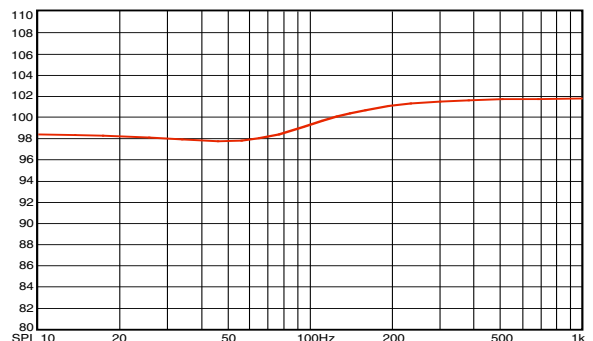
SEALED BOX
FREQUENCY RESPONSE @ 10 WATTS



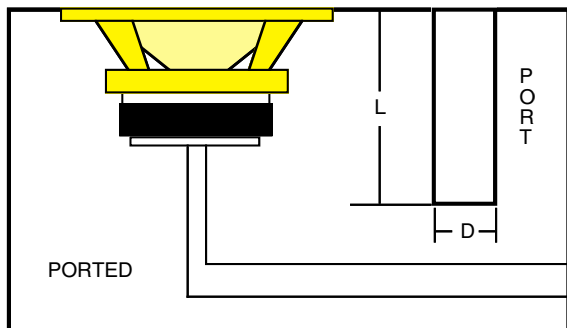
DOOR VOLUME = 1.0CU. Ft.
(28.35 LITERS)



DOOR MOUNT
FREQUENCY RESPONSE @ 10 WATTS



BOX VOLUME = 0.6 CU. FT. (5.7 LITERS)
TUNED TO 50HZ PORT = 2"D X 4"L



PORTED BOX
FREQUENCY RESPONSE @ 10 WATTS

