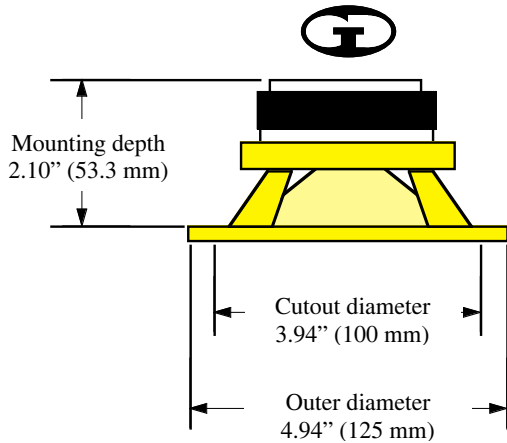


SPECIFICATIONS

DIAMETER: 4" (110MM)
SENSITIVITY: 89dB
POWER HANDLING: 20 WRMS (100W PK)
FREQUENCY RESPONSE: 70 ~ 7000 HZ
NOMINAL IMPEDANCE: 4 OHMS
VOICE COIL DIAMETER: 1.0" (26MM)
DIMENSIONS:

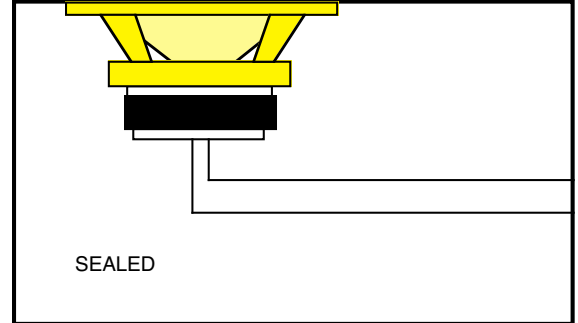


THIELE-SMALL PARAMTERS

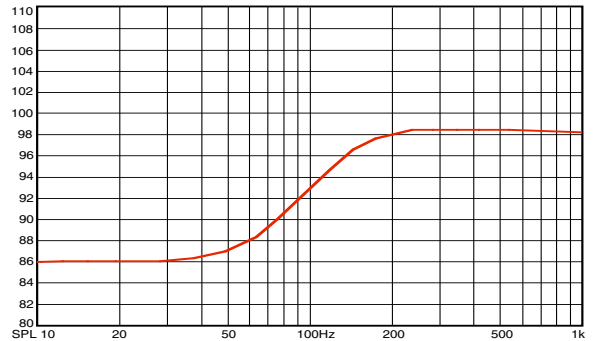
FREE AIR RESONANCE: 77.6HZ
VOICE COIL DC RESISTANCE: 3.08 OHMS
VOICE COIL INDUCTANCE @ 1 kHz: 0.37mH
MECHANICAL Q (Q_{MS}): 2.58
ELECTRICAL Q (Q_{ES}): 0.52
TOTAL Q (Q_{TS}): 0.43
COMPLIANCE VOLUME (V_{AS}): 3.46 L
 0.122 FT³
MOVING MASS, DIAPHRAGM: 5.99 GR
DRIVER RADIATING AREA (S_D): 59 CM²
 9.145 IN²
MOTOR FORCE FACTOR: 4.18 TM
MAXIMUM EXCURSION (X_{MAX}): 0.087"
 2.2 MM

NOTE:
 ALL SEALED BOXES GREATER THAN 0.05 CUBIC FEET ARE ALLOWABLE BUT WITH NON-OPTIMAL BASS RESPONSE. OPTIMAL SETUP FOR BASS IN A MEDIUM SIZE CAB IS SHOWN HERE.

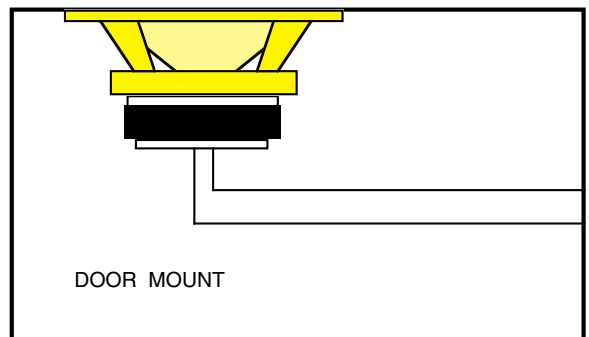
Box Volume = 0.06 CU. Ft.
(1.7 LITERS) SEALED



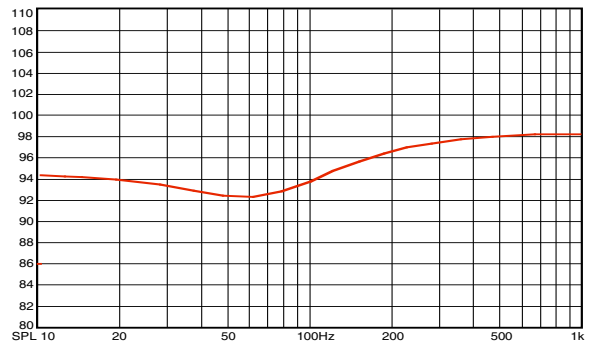
SEALED BOX
FREQUENCY RESPONSE @ 10 WATTS



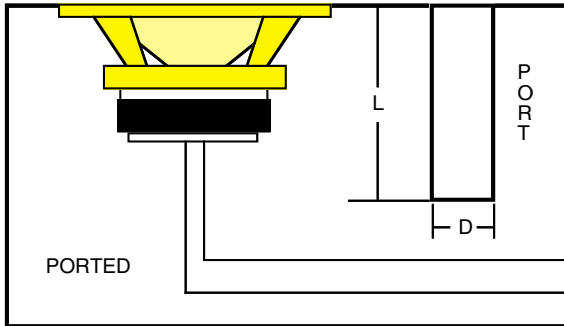
DOOR VOLUME = 1.0CU. Ft.
(28.35 LITERS)



DOOR MOUNT
FREQUENCY RESPONSE @ 10 WATTS



BOX VOLUME = 0.18 CU. FT. (5.1 LITERS)
TUNED TO 60HZ PORT = 1.25"D X 4.2"L



PORTED BOX
FREQUENCY RESPONSE @ 10 WATTS

