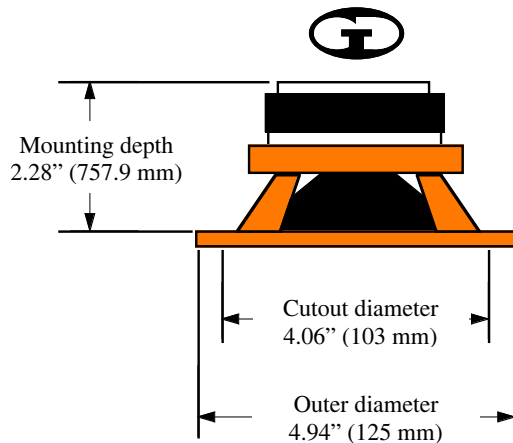


SPECIFICATIONS

DIAMETER: 4" (110MM)
SENSITIVITY: 89.6 dB
POWER HANDLING: 20 WRMS (100W PK)
FREQUENCY RESPONSE: 50 ~ 7000 HZ
NOMINAL IMPEDANCE: 4 OHMS
VOICE COIL DIAMETER: 1.0" (26MM)
DIMENSIONS:



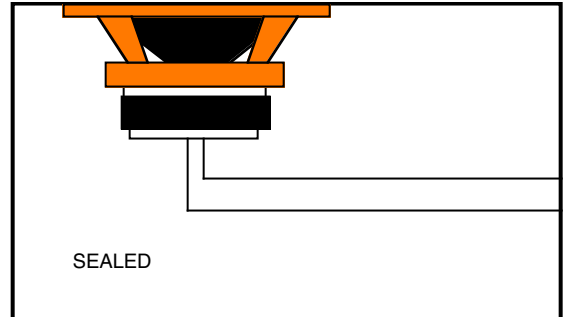
THIELE-SMALL PARAMTERS

FREE AIR RESONANCE: 52.2 Hz
VOICE COIL DC RESISTANCE: 3.3 OHMS
VOICE COIL INDUCTANCE @ 1 kHz: 0.17 mH
MECHANICAL Q (Q_{MS}): 3.51
ELECTRICAL Q (Q_{ES}): 0.29
TOTAL Q (Q_{TS}): 0.27
COMPLIANCE VOLUME (V_{AS}): 7.52 L
 0.265 FT³
MOVING MASS, DIAPHRAGM: 5.42GR
DRIVER RADIATING AREA (S_D): 58 CM²
 8.99 IN²
MOTOR FORCE FACTOR: 4.58 TM

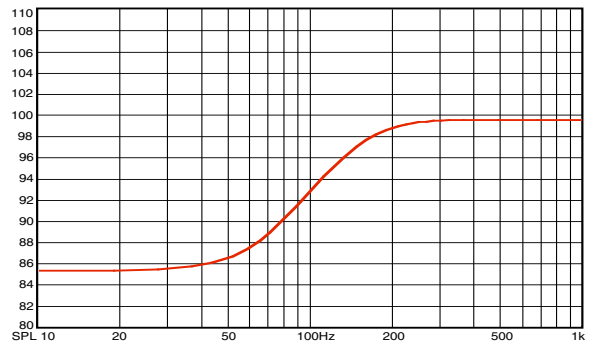
NOTE:

ALL SEALED BOXES GREATER THAN 0.04 CUBIC FEET ARE ALLOWABLE BUT WITH NON-OPTIMAL BASS RESPONSE. OPTIMAL SETUP FOR BASS IN A MEDIUM SIZE CAB IS SHOWN HERE.

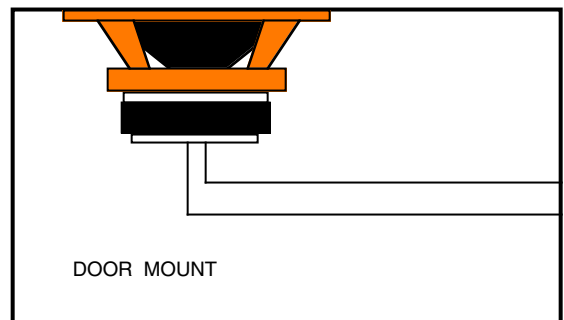
Box VOLUME = 0.04 CU. Ft.
(1.134 LITERS) SEALED



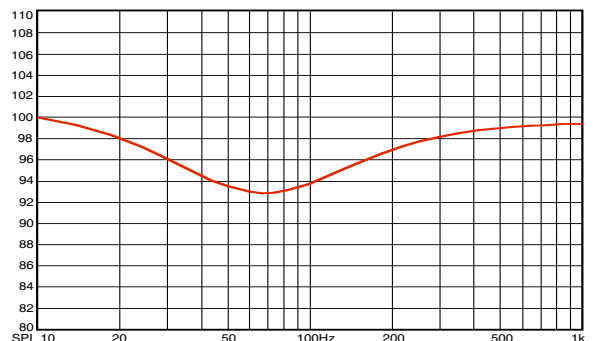
SEALED BOX
FREQUENCY RESPONSE @ 10 WATTS



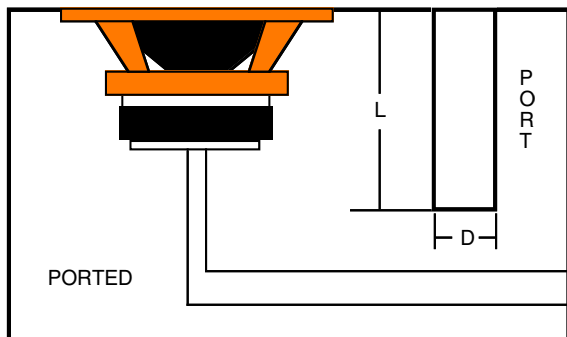
DOOR VOLUME = 1.0CU. Ft.
(28.35 LITERS)



DOOR MOUNT
FREQUENCY RESPONSE @ 10 WATTS



BOX VOLUME = 0.1 CU. FT. (2.83 LITERS)
TUNED TO 75HZ PORT =1.25" D X 5.0 "L



PORTED BOX
FREQUENCY RESPONSE @ 10 WATTS

