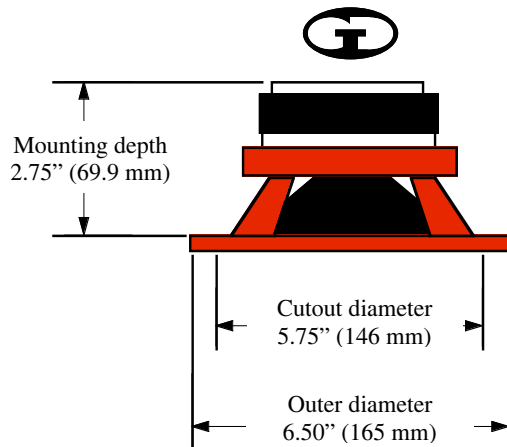


SPECIFICATIONS

DIAMETER: 6.5" (170MM)
SENSITIVITY: 90.4 dB
POWER HANDLING: 30 WRMS (130W PK)
FREQUENCY RESPONSE: 70 ~ 5000 HZ
NOMINAL IMPEDANCE: 4 OHMS
VOICE COIL DIAMETER: 1.0" (26MM)
DIMENSIONS:

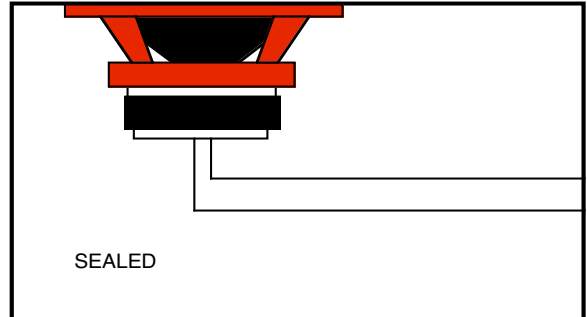


THIELE-SMALL PARAMETERS

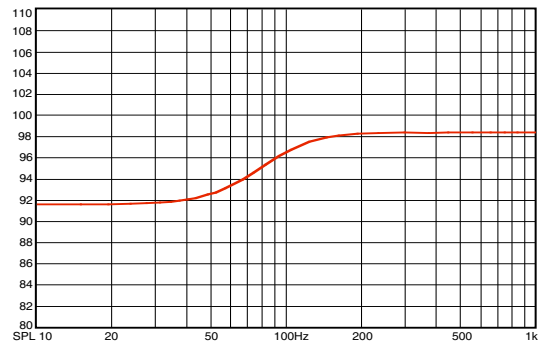
FREE AIR RESONANCE: 77.6 Hz
VOICE COIL DC RESISTANCE: 3.10 OHMS
VOICE COIL INDUCTANCE @ 1 kHz: 0.38 mH
MECHANICAL Q (Q_{MS}): 4.24
ELECTRICAL Q (Q_{ES}): 0.68
TOTAL Q (Q_{TS}): 0.58
COMPLIANCE VOLUME (V_{AS}): 6.59 L
MOVING MASS, DIAPHRAGM: 0.232 FT³
DRIVER RADIATING AREA (S_D): 15.81 GR
DRIVER RADIATING AREA (S_D): 133 CM²
DRIVER RADIATING AREA (S_D): 20.65 IN²
MOTOR FORCE FACTOR: 5.85 TM

NOTE:
ALL SEALED BOXES GREATER THAN 0.4 CUBIC FEET ARE ALLOWABLE BUT WITH ALTERED BASS RESPONSE. OPTIMALLY SMALL SETUP FOR BASS IN A MEDIUM SIZE CAB IS SHOWN HERE.

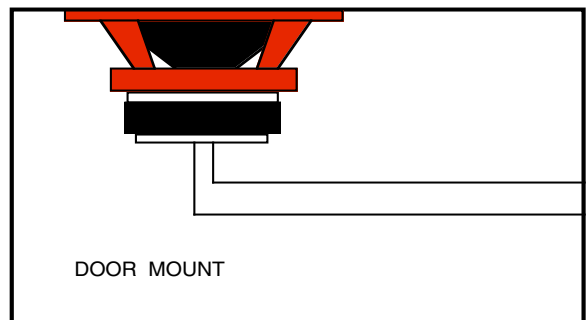
**BOX VOLUME = 0.4 CU. Ft.
(11.3 LITERS) SEALED**



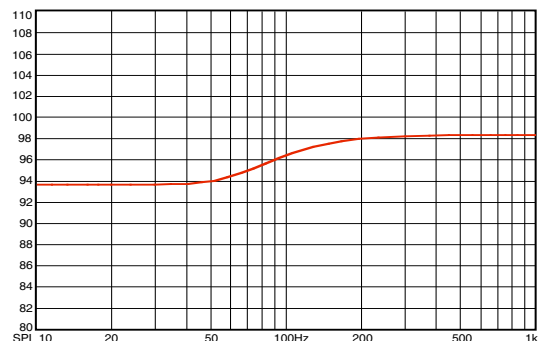
**SEALED BOX
FREQUENCY RESPONSE @ 10 WATTS**



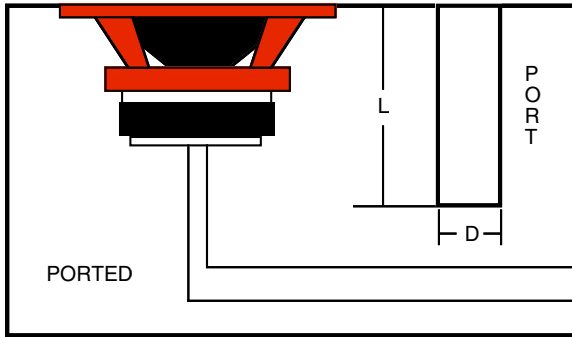
**DOOR VOLUME = 1.0CU. Ft.
(28.35 LITERS)**



**DOOR MOUNT
FREQUENCY RESPONSE @ 10 WATTS**



BOX VOLUME = 0.40 CU. FT. (11.3 LITERS)
TUNED TO 50HZ PORT = 2.0"D X 7.0"L



PORTED BOX
FREQUENCY RESPONSE @ 10 WATTS

