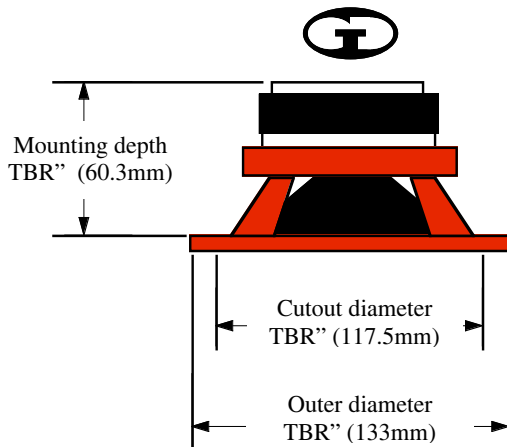
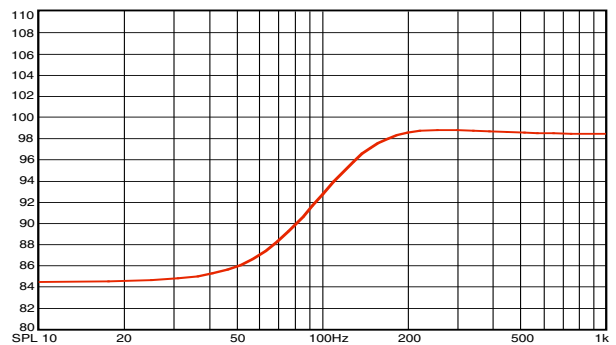
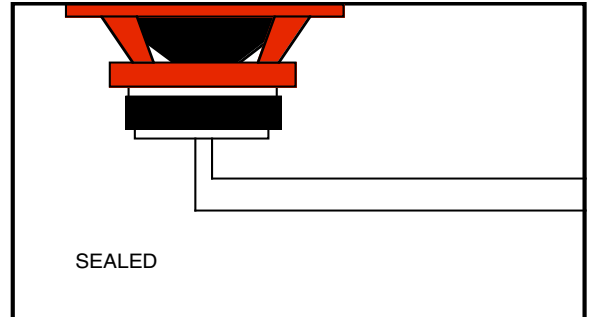


SPECIFICATIONS

DIAMETER: 5.25" (130 mm)
SENSITIVITY: 89.4 dB
POWER HANDLING: 20 WRMS (100W PK)
FREQUENCY RESPONSE: 60 ~ 6000 HZ
NOMINAL IMPEDANCE: 4 OHMS
VOICE COIL DIAMETER: 1.0" (26MM)
DIMENSIONS:



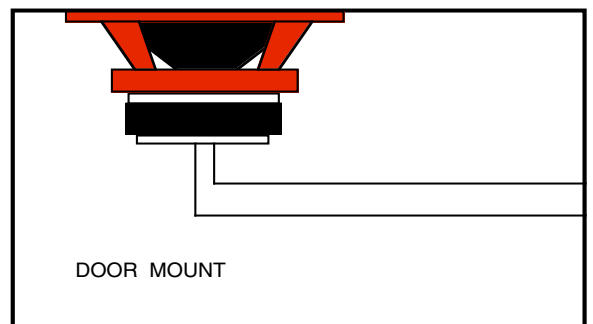
**BOX VOLUME = 0.2 CU. FT.
(5.67 LITERS) SEALED**



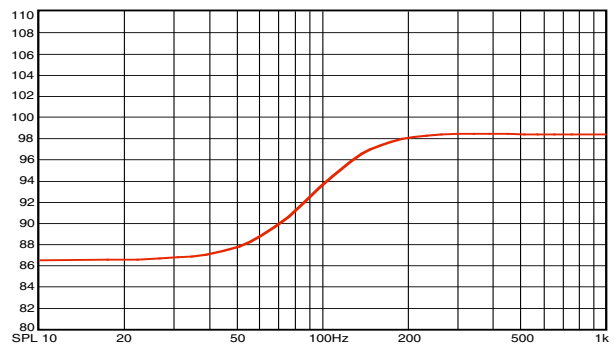
THIELE-SMALL PARAMTERS

FREE AIR RESONANCE: 126 Hz
VOICE COIL DC RESISTANCE: 3.06 OHMS
VOICE COIL INDUCTANCE @ 1 kHz: 0.19 mH
MECHANICAL Q (Q_{MS}): 4.07
ELECTRICAL Q (Q_{ES}): 0.89
TOTAL Q (Q_{TS}): 0.73
COMPLIANCE VOLUME (V_{AS}): 2.02 L
MOVING MASS, DIAPHRAGM: 9.97 GR
DRIVER RADIATING AREA (S_D): 95 cm²
MOTOR FORCE FACTOR: 5.23 Tm

**DOOR MOUNT
BOX VOLUME = 1.0 CU. FT.**

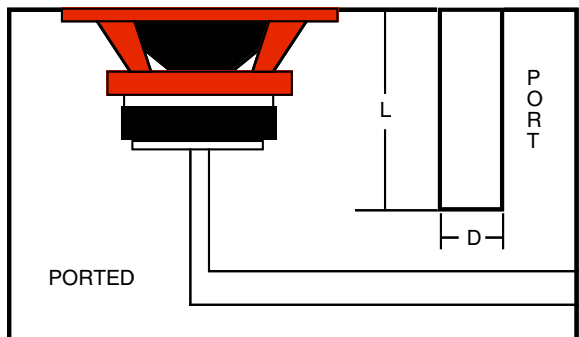


**DOOR MOUNT
FREQUENCY RESPONSE @ 10 WATTS**

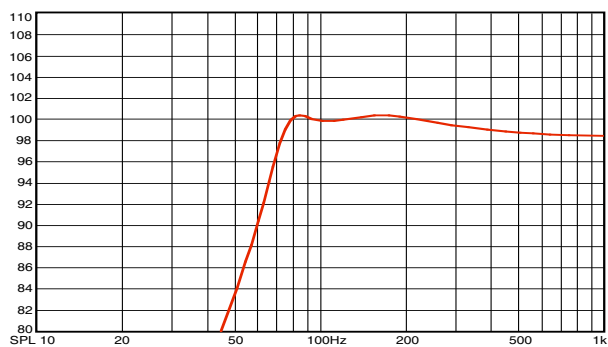


NOTE:
ALL SEALED BOXES GREATER THAN 0.2 CUBIC FEET ARE USEABLE BUT THE RESPONSE EFFECTS WILL SUIT SPECIAL PURPOSES. USABLY SMALL ENCLOSURE SETUP FOR BASS IN A MEDIUM SIZE CAB IS SHOWN HERE.

**BOX VOLUME = 0.25 CU. FT. (7.087 LITERS)
TUNED TO 85HZ PORT =2.0"D X 3.24"L**



**PORTED BOX
FREQUENCY RESPONSE @ 10 WATTS**



**BOX RESPONSE FOR SPECIAL
EFFECT SHOWN.**