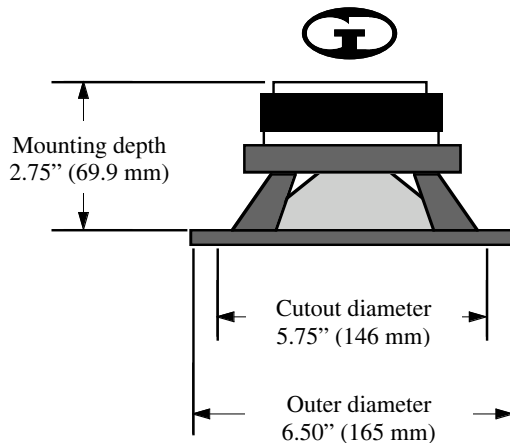


SPECIFICATIONS

DIAMETER: 6.5" (170MM)
SENSITIVITY: 89.8 dB
POWER HANDLING: 30 WRMS (150W PK)
FREQUENCY RESPONSE: 55 ~ 5000 HZ
NOMINAL IMPEDANCE: 4 OHMS
VOICE COIL DIAMETER: 1.0" (26MM)
DIMENSIONS:

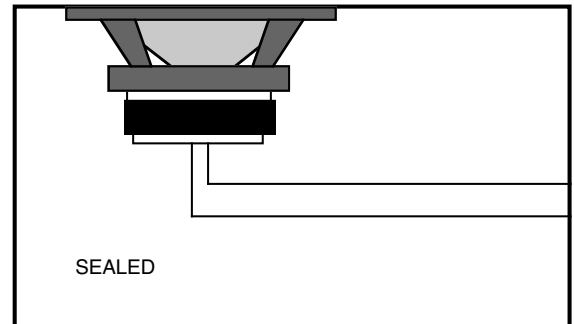


THIELE-SMALL PARAMETERS

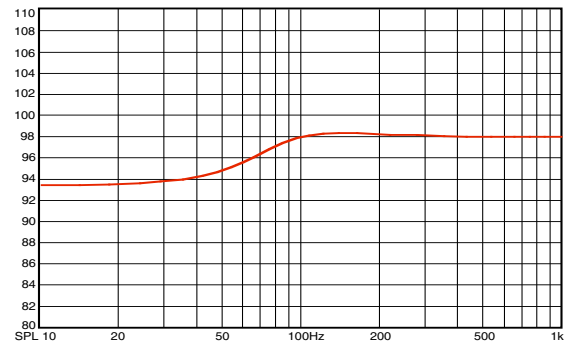
FREE AIR RESONANCE: 70 HZ
VOICE COIL DC RESISTANCE: 3.09 OHMS
VOICE COIL INDUCTANCE @ 1 KHZ: 0.45MH
MECHANICAL Q (Q_{MS}): 10.5
ELECTRICAL Q (Q_{ES}): 0.70
TOTAL Q (Q_{TS}): 0.66
COMPLIANCE VOLUME (V_{AS}): 8.56 L
 0.302 FT³
MOVING MASS, DIAPHRAGM: 14.95 GR
DRIVER RADIATING AREA (S_D): 133 CM²
 20.57 IN²
MOTOR FORCE FACTOR: 5.37 TM

NOTE:
 ALL SEALED BOXES GREATER THAN 0.6 CUBIC FEET UP TO FREE AIR ARE GOOD. LOWER BASS WITH SOME RIPPLE IS AVAILABLE IN THE PORTED STYLE. OPTIMAL SETUP FOR BASS IN A MEDIUM SIZE CAB IS SHOWN HERE.

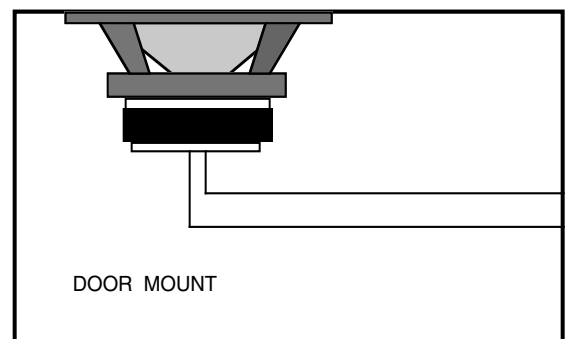
BOX VOLUME = 0.6 CU. Ft.
(17 LITERS) SEALED



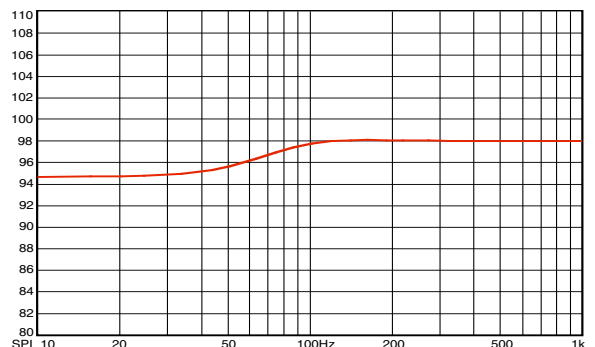
SEALED BOX
FREQUENCY RESPONSE @ 10 WATTS



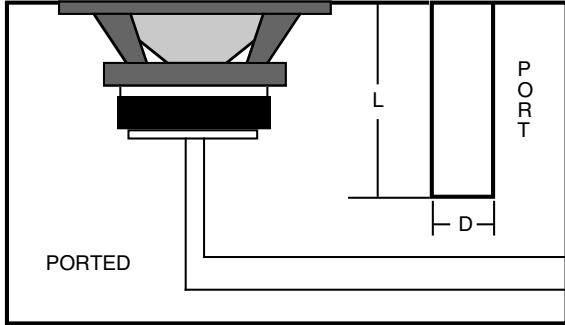
DOOR VOLUME = 1.0CU. Ft.
(28.35 LITERS)



DOOR MOUNT
FREQUENCY RESPONSE @ 10 WATTS



BOX VOLUME = 0.4 CU. FT. (11.3 LITERS)
TUNED TO 45HZ PORT = 2.0"D X 9.0"L



PORTED BOX
FREQUENCY RESPONSE @ 10 WATTS

